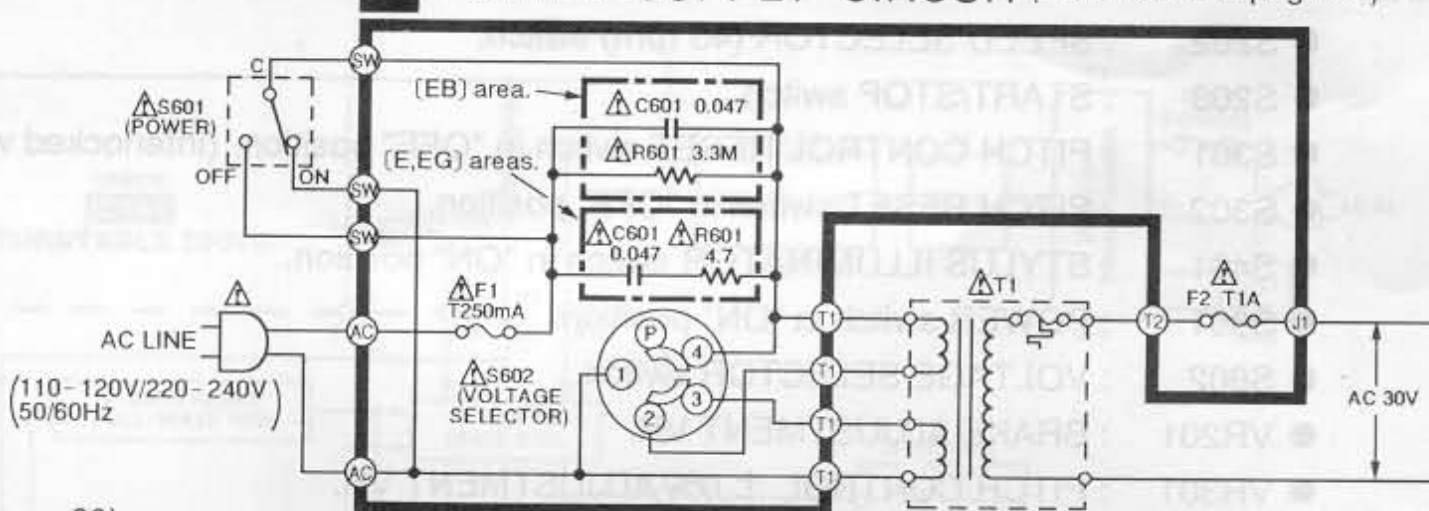
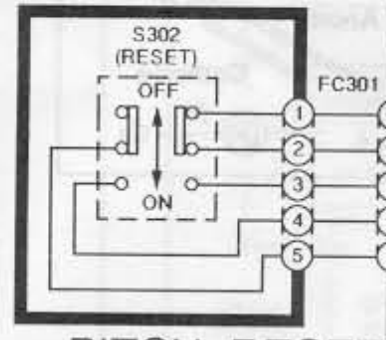
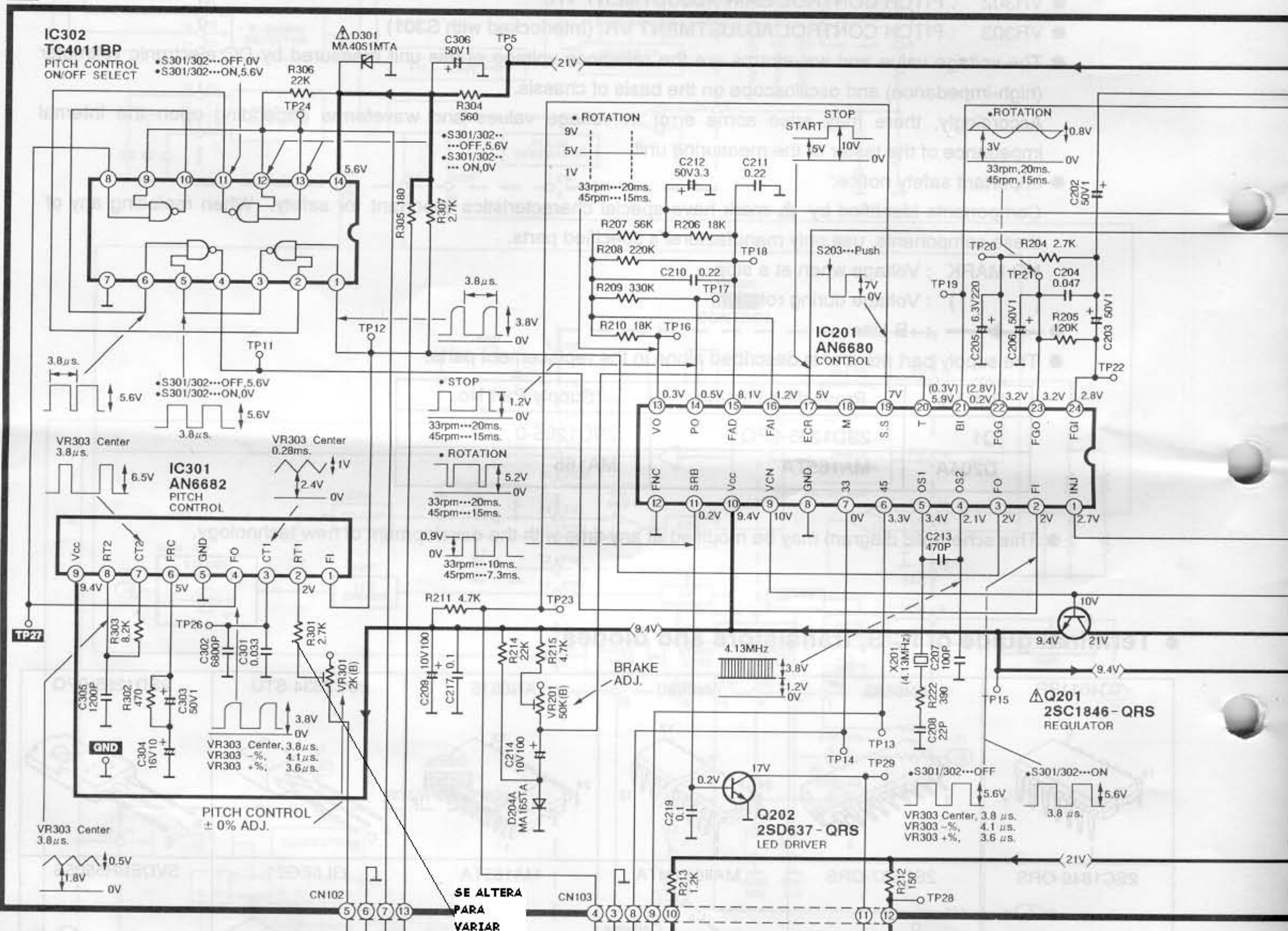


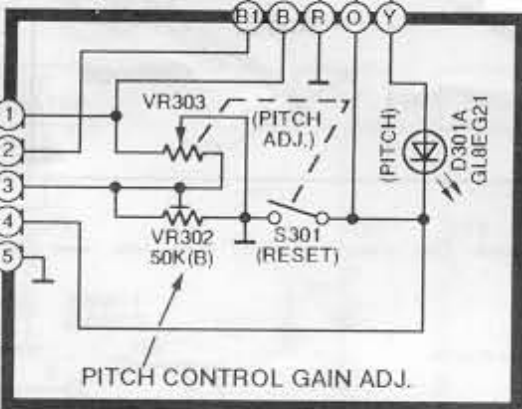
F POWER SUPPLY CIRCUIT (P.C.Board: on page 21)



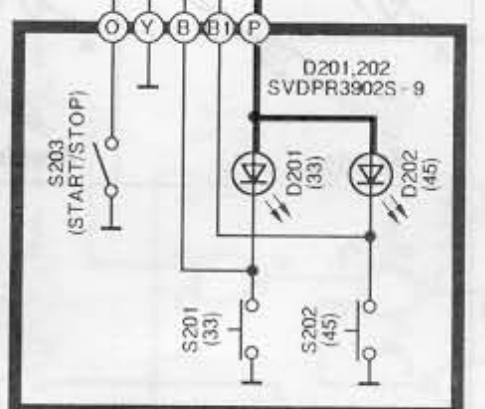
A DRIVE CIRCUIT (P.C.Board: on page 20)



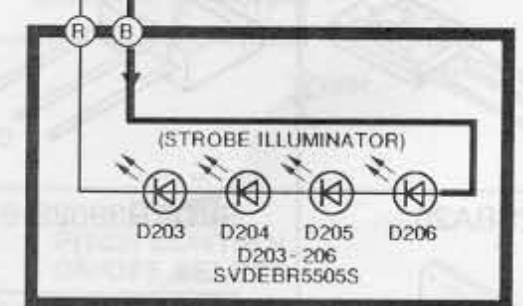
B PITCH RESET SWITCH CIRCUIT (P.C.Board: on page 21)



C PITCH CONTROL CIRCUIT (P.C.Board: on page 20)

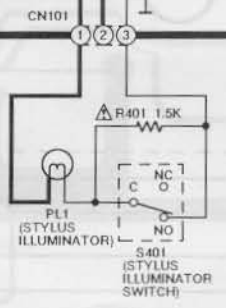
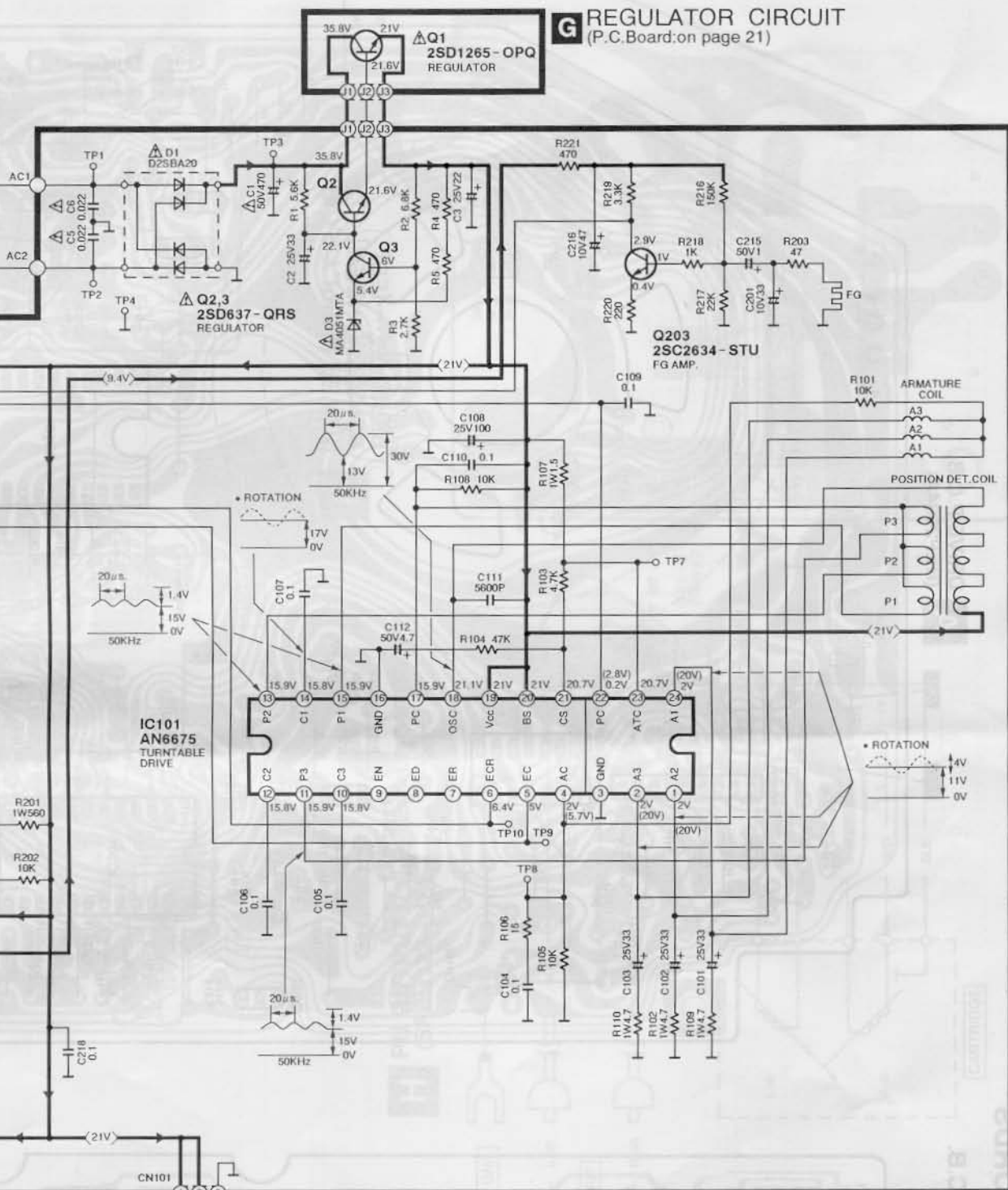


D SPEED SELECTOR CIRCUIT (P.C.Board: on page 21)

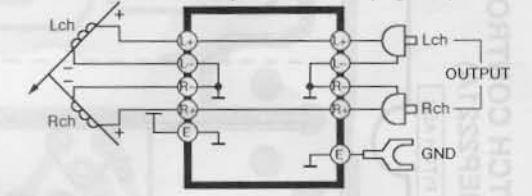


E STROBE ILLUMINATOR CIRCUIT (P.C.Board: on page 21)

G REGULATOR CIRCUIT
(P.C. Board: on page 21)



H PU OUTPUT CIRCUIT
(P.C. Board: on page 21)

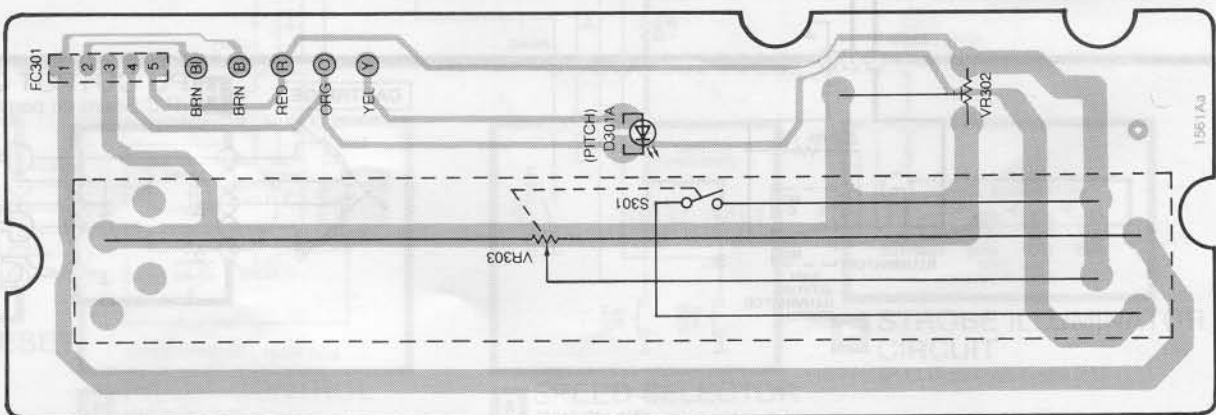


REGULATOR CIRCUIT
 (P.C. Board on Page 21)

PRINTED CIRCUIT BORDS

C PITCH CONTROL P.C.B.
 (REP2221A)

PITCH ADJ.



A DRIVE P.C.B.
 (REP2094A)

